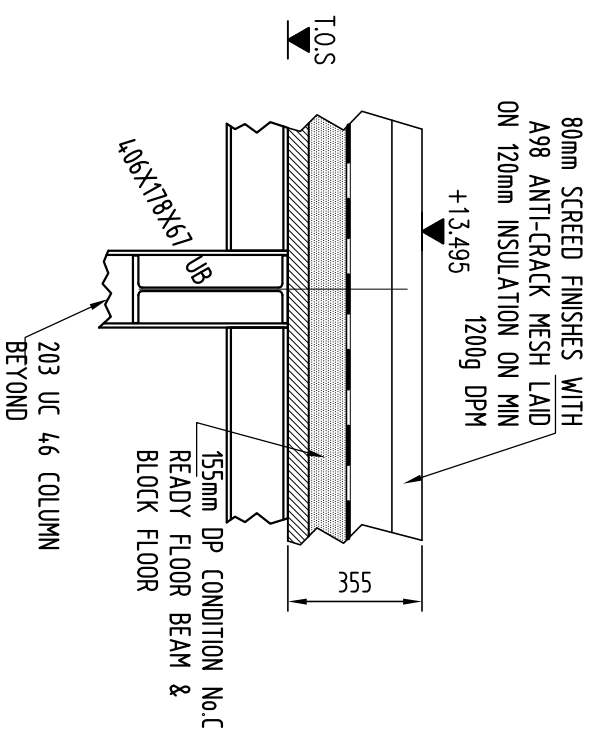
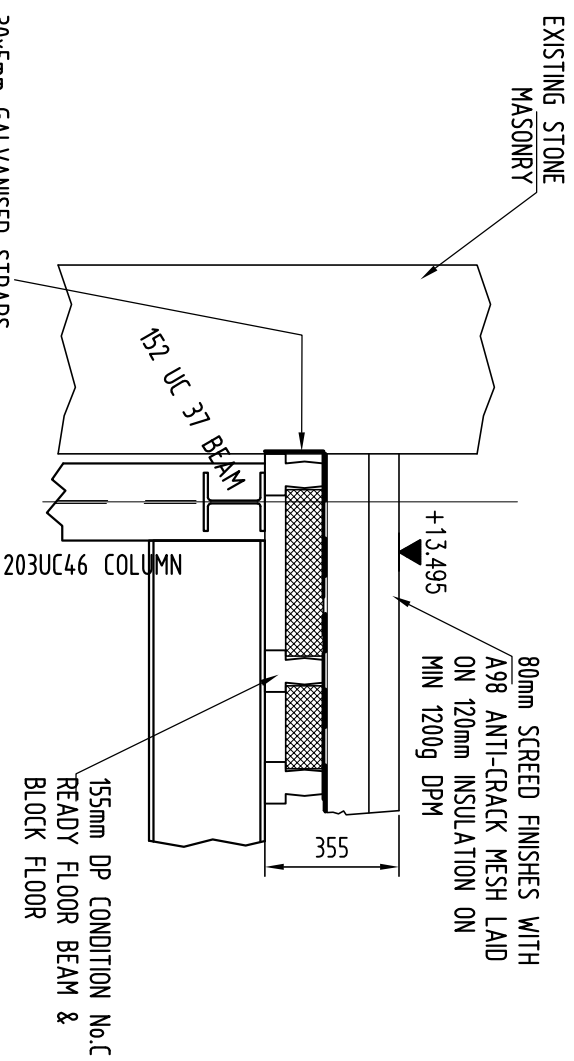


Notes:

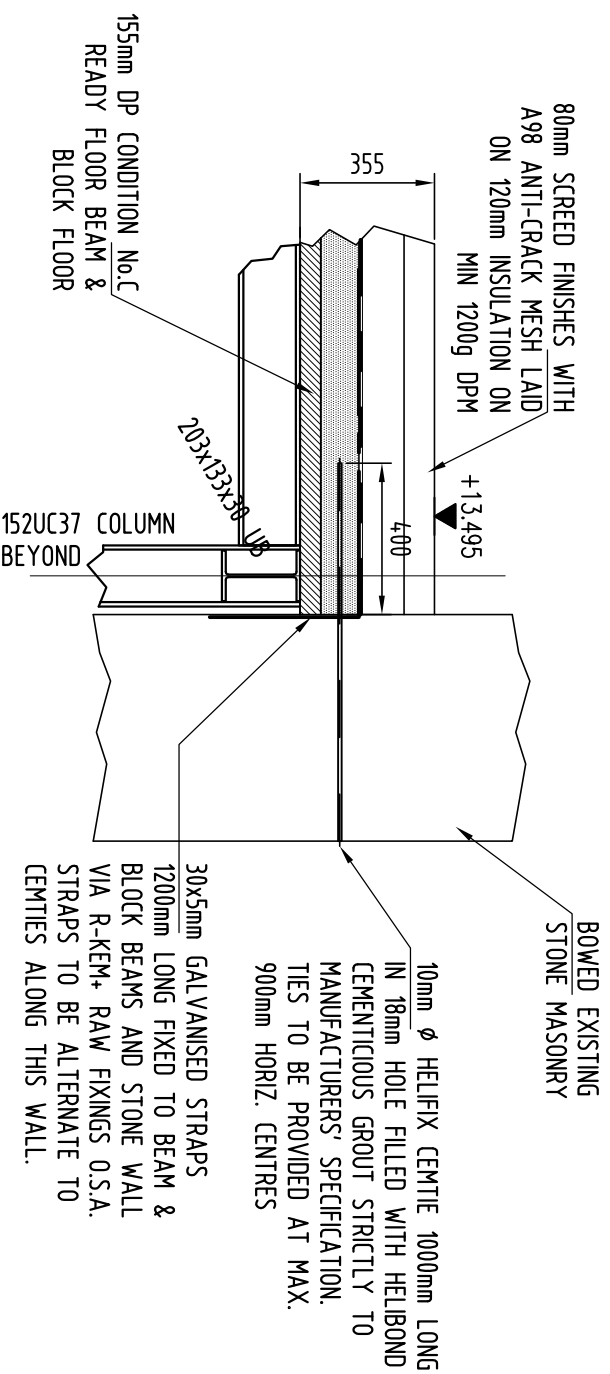
- General:**
1. All dimensions and levels are in millimetres unless noted otherwise.
 2. All levels relate to ordnance datum unless noted otherwise.
 3. Do not scale from this drawing. Use figured dimensions only.
 4. If in doubt, Ask. Please report any discrepancies before proceeding.
 5. This drawing to be read in conjunction with all other relevant drawings
 6. This drawing is copyrighted ©



SECTION 8-8
SCALE 1:20



SECTION 9-9
SCALE 1:20



SECTION 10-10
SCALE 1:20

FOR DESIGN & BUILD

C	SECTION AMENDMENTS SECTION 10-10 ADDED	FEB 2014	DMN	DMN
B	SECTION AMENDMENTS LEVELS ADDED	JAN 2014	DMN	DMN
A	DRG TITLE AMENDED SECTIONS AMENDED FOR D&B SCHEME	JAN 2014	DMN	DMN
Item:	Revisions:	Date:	Issue:	Contact:

Client:
VALLEYS FAMILY CHURCH

Portico Engineers
Civil Structural and Research