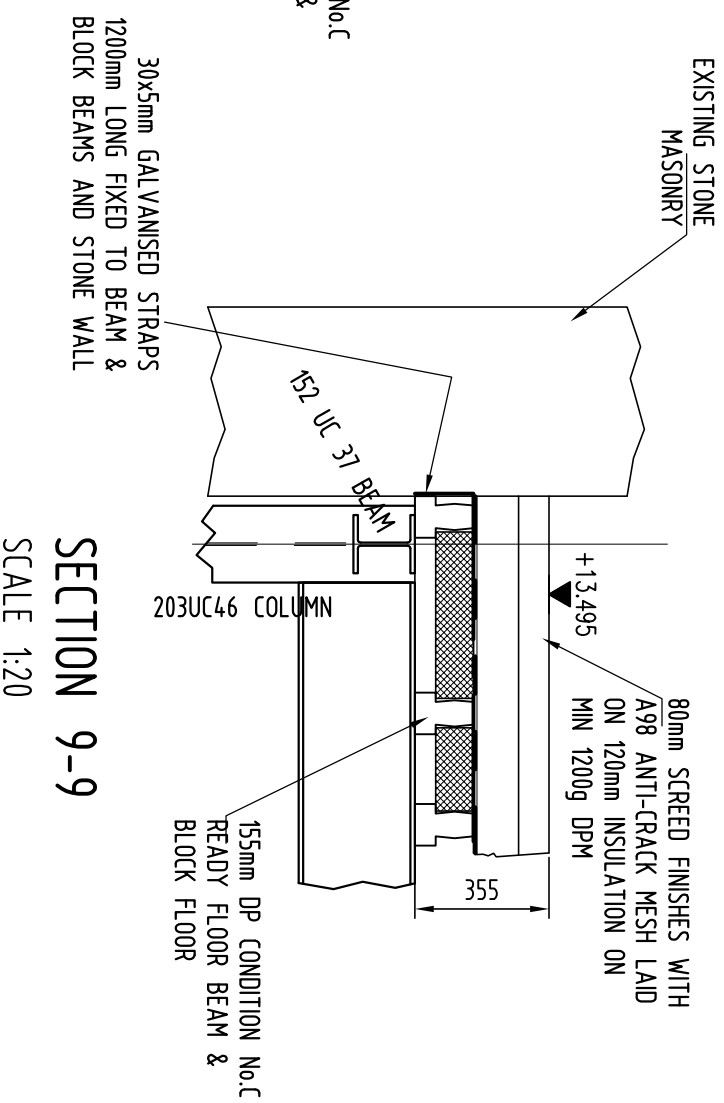
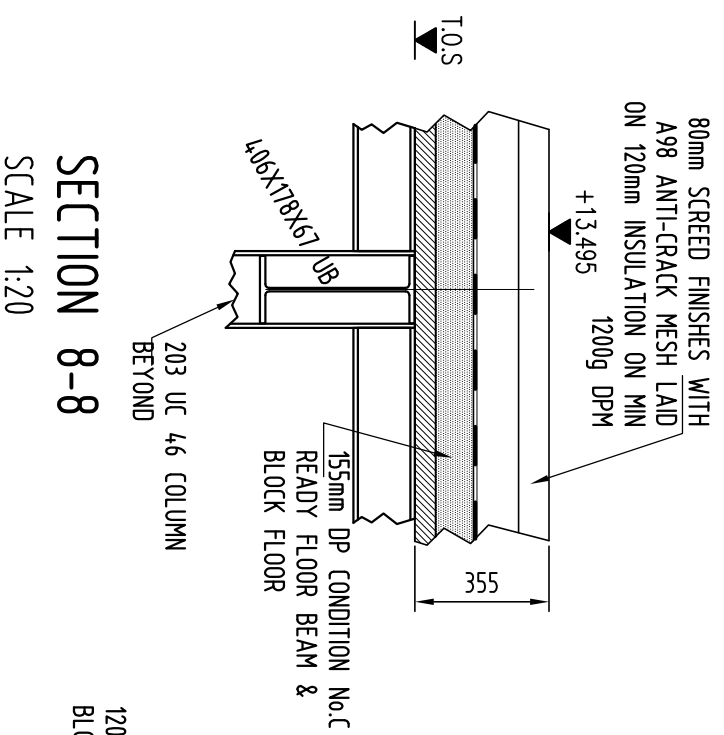


Notes:

- General:**
1. All dimensions and levels are in millimetres unless noted otherwise.
 2. All levels relate to Ordnance datum unless noted otherwise.
 3. Do not scale from this drawing. Use figured dimensions only.
 4. If in doubt, Ask. Please report any discrepancies before proceeding.
 5. This drawing to be read in conjunction with all other relevant drawings
 6. This drawing is copyrighted ©



FOR DESIGN & BUILD

B	SECTION AMENDMENTS LEVELS ADDED	JAN 2014	DMN	DMN
A	DRG. TITLE AMENDED SECTIONS AMENDED FOR D&B SCHEME	JAN 2014	DMN	DMN
Item:	Revisions	Date:	Issue:	Checked:

Client: **VALLEYS FAMILY CHURCH**

Date: JUNE 2013 Scale: @ A3 AS SHOWN
 Drawn: DMN Checked: DMN

Portico Engineers
 Civil Structural and Research

32 Maple Road, Pentreabana, Fairwater,
 Cardiff, CF5 3TY, Tel: 0798224957
 mail@porticoengineers.com www.porticoengineers.com