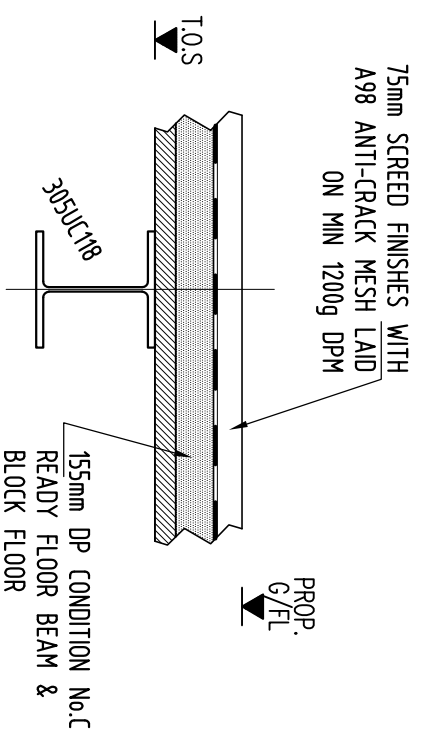
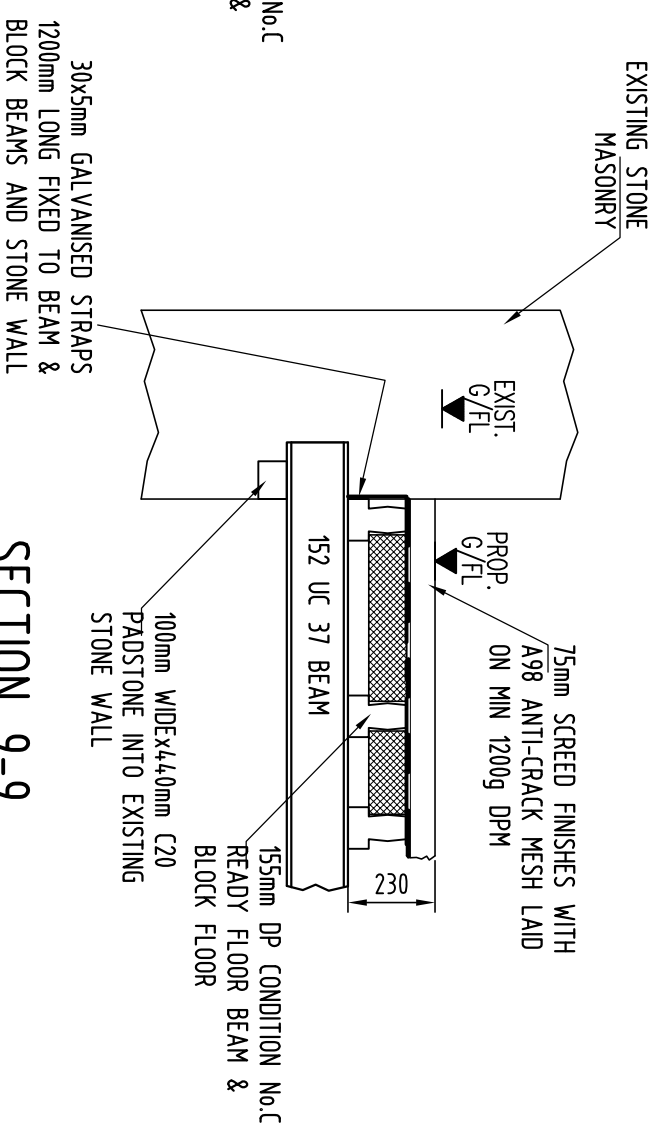


Notes:

- General:**
1. All dimensions and levels are in millimetres unless noted otherwise.
 2. All levels relate to ordnance datum unless noted otherwise.
 3. Do not scale from this drawing. Use figured dimensions only.
 4. If in doubt, Ask. Please report any discrepancies before proceeding.
 5. This drawing to be read in conjunction with all other relevant drawings
 6. This drawing is copyrighted ©



SECTION 8-8
SCALE 1:20



SECTION 9-9
SCALE 1:20

ISSUED FOR COMMENTS

Item:	Revisions:	Date:	Index:	Overhead:
Client:	VALLEYS FAMILY CHURCH			
Date:	JUNE 2013	Scale:	@ A3 AS SHOWN	
Drawn:	DMN	Checked:	DMN	
Portico Engineers Civil Structural and Research		32 Maple Road, Pentreabana, Fairwater, Cardiff, CF5 3TY, Tel: 0798224957 mail@porticoengineers.com www.porticoengineers.com		