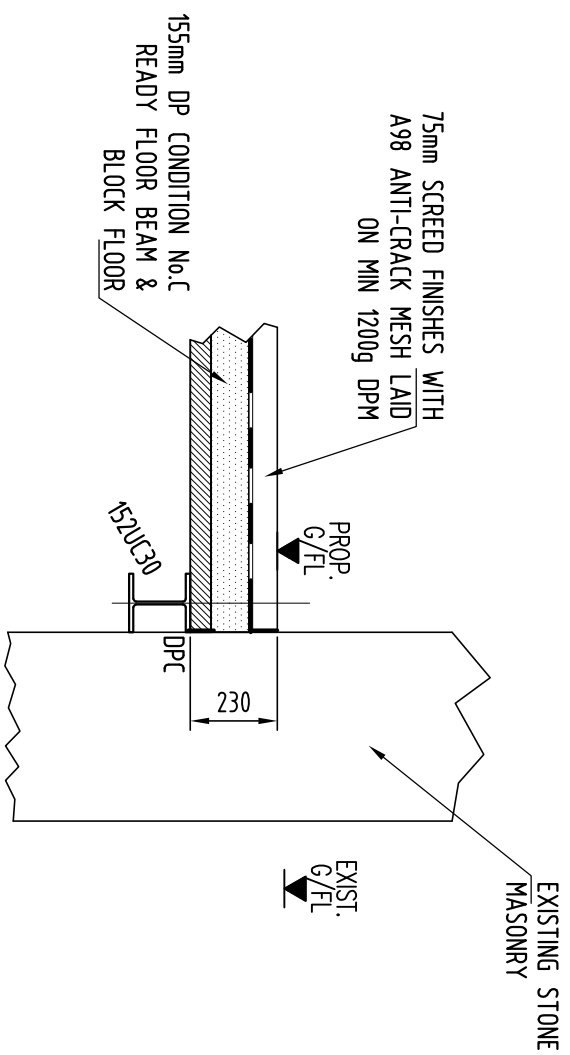
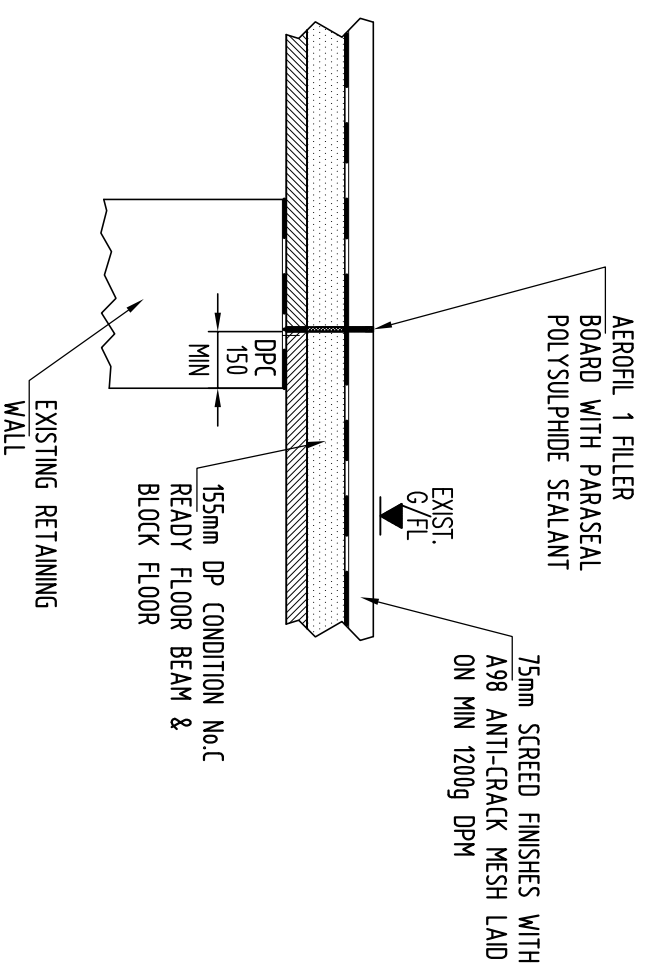


Notes:

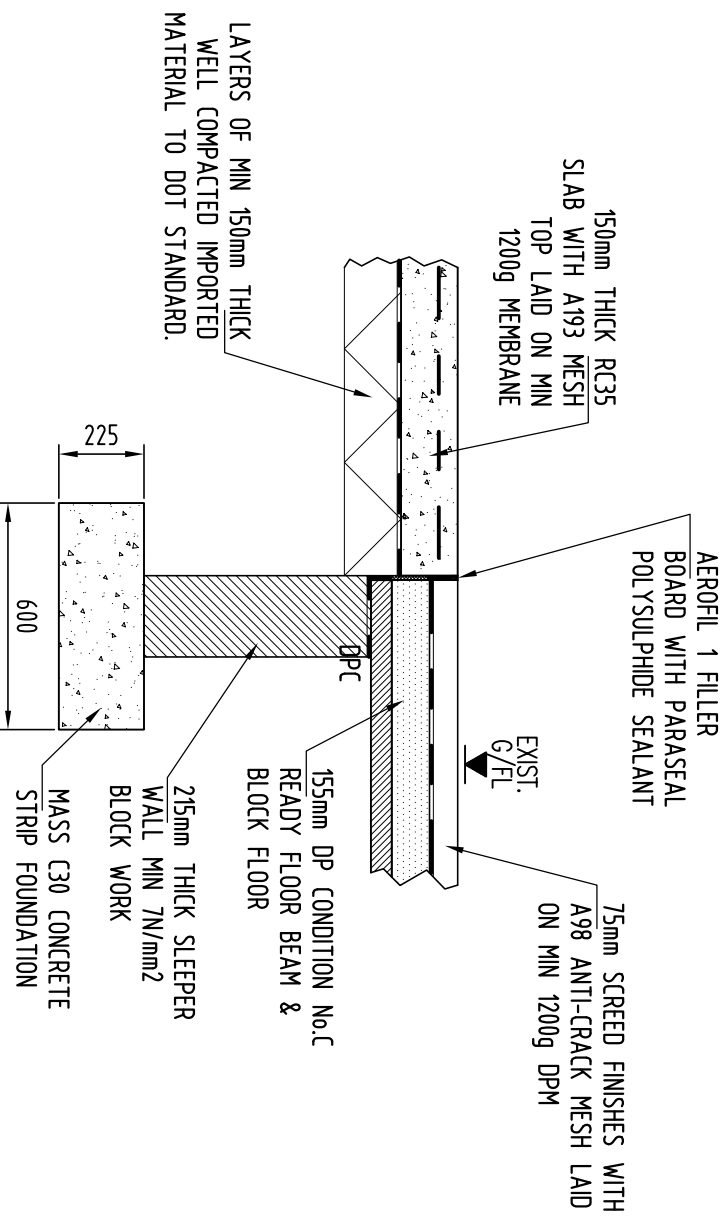
- General:**
1. All dimensions and levels are in millimetres unless noted otherwise.
 2. All levels relate to ordnance datum unless noted otherwise.
 3. Do not scale from this drawing. Use figured dimensions only.
 4. If in doubt, Ask. Please report any discrepancies before proceeding.
 5. This drawing to be read in conjunction with all other relevant drawings
 6. This drawing is copyrighted ©



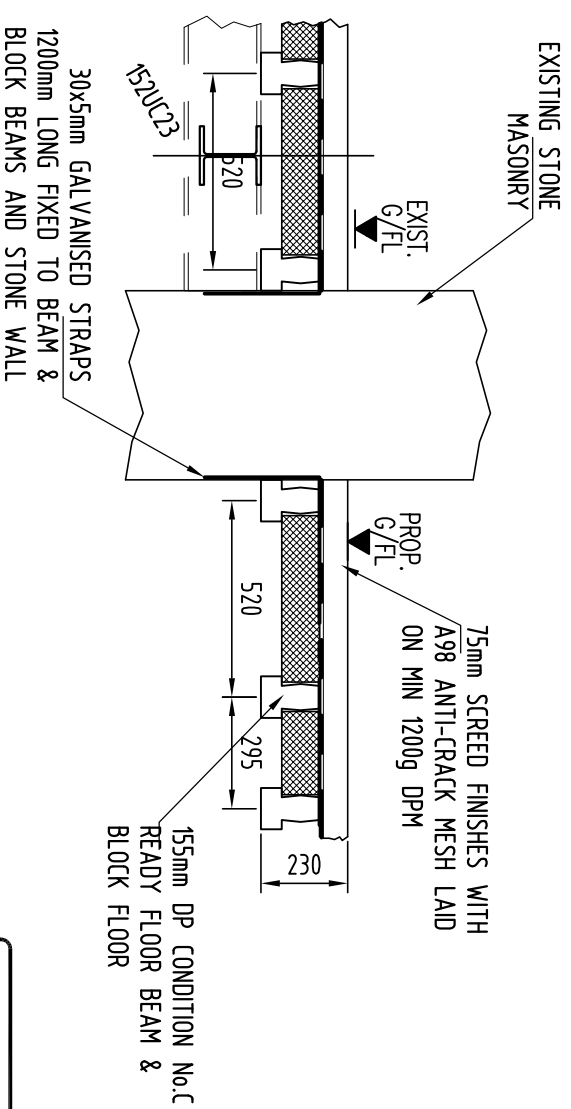
SECTION 4-4
SCALE 1:20



SECTION 5-5
SCALE 1:20



SECTION 6-6
SCALE 1:20



SECTION 7-7
SCALE 1:20

FOR DESIGN & BUILD

| | | | | | |
|---------|-----------------------|---|--|-----|-----|
| Item: | A | DRG TITLE AMENDED SECTIONS AMENDED FOR D&B SCHEME | JAN 2014 | DMN | DMN |
| Client: | VALLEYS FAMILY CHURCH | | Portico Engineers Civil Structural and Research | | |
| Date: | JUNE 2013 | Scale: | @ A3 AS SHOWN | | |
| Drawn: | DMN | Checked: | DMN | | |

PROPOSED FOUNDATION SECTIONS

DAVIES STREET, BRYNNMAWR

1309-203

32 Maple Road, Pentreband, Fairwater,
Cardiff, CF5 3TY, Tel: 0798224957
mail@porticoengineers.com www.porticoengineers.com