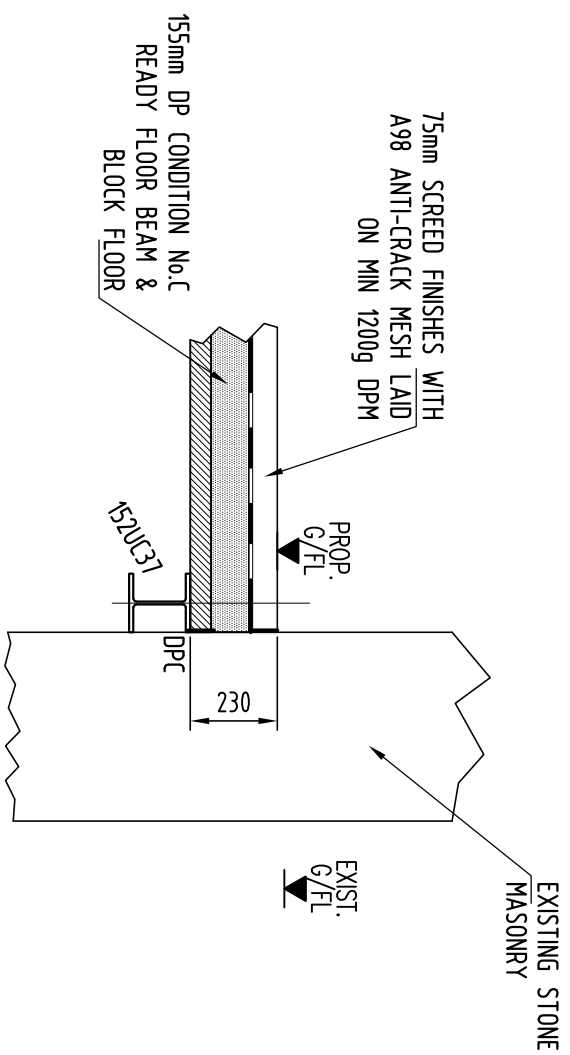
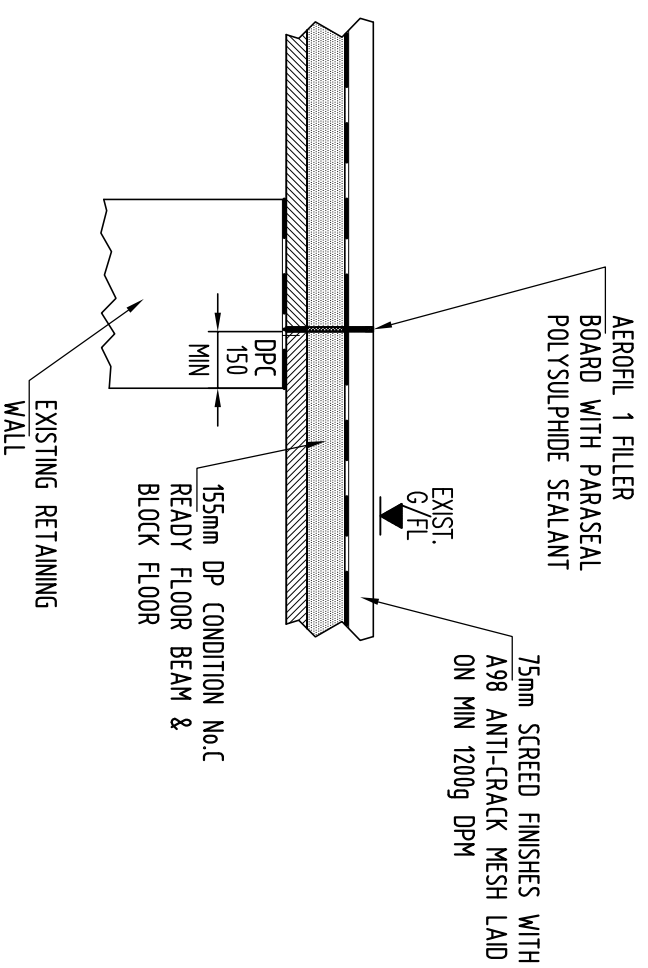


Notes:

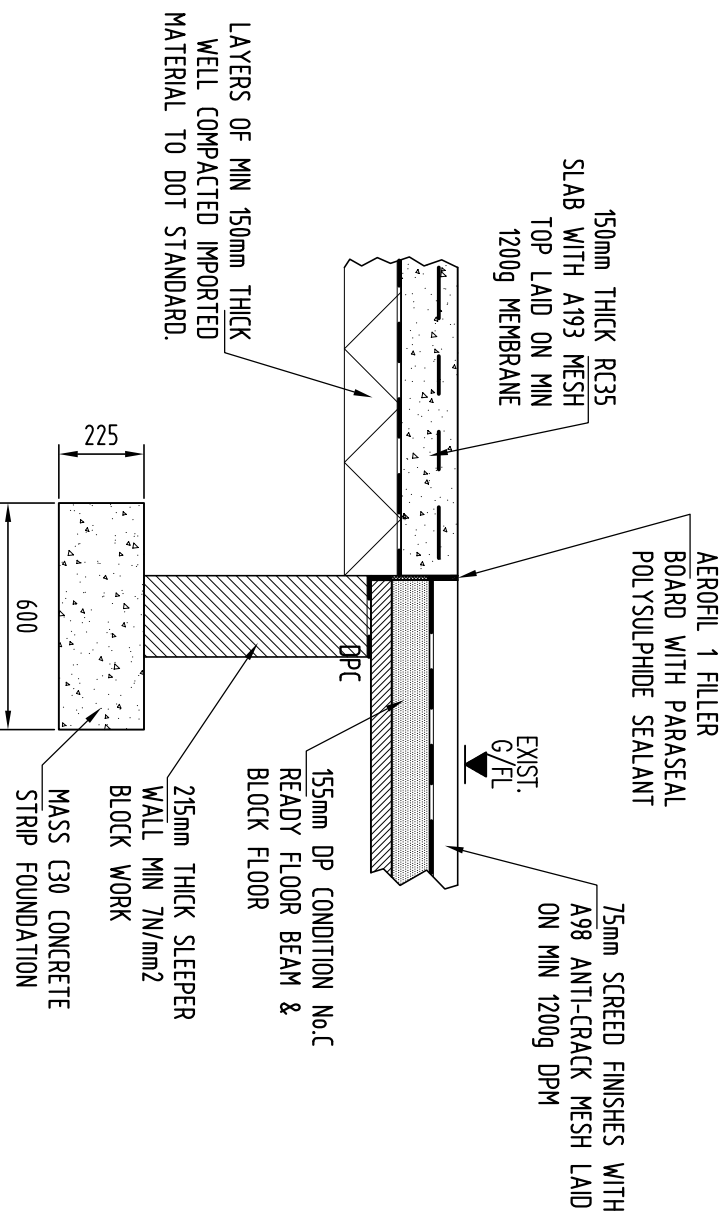
- General:**
1. All dimensions and levels are in millimetres unless noted otherwise.
  2. All levels relate to ordnance datum unless noted otherwise.
  3. Do not scale from this drawing. Use figured dimensions only.
  4. If in doubt, Ask. Please report any discrepancies before proceeding.
  5. This drawing to be read in conjunction with all other relevant drawings
  6. This drawing is copyrighted ©



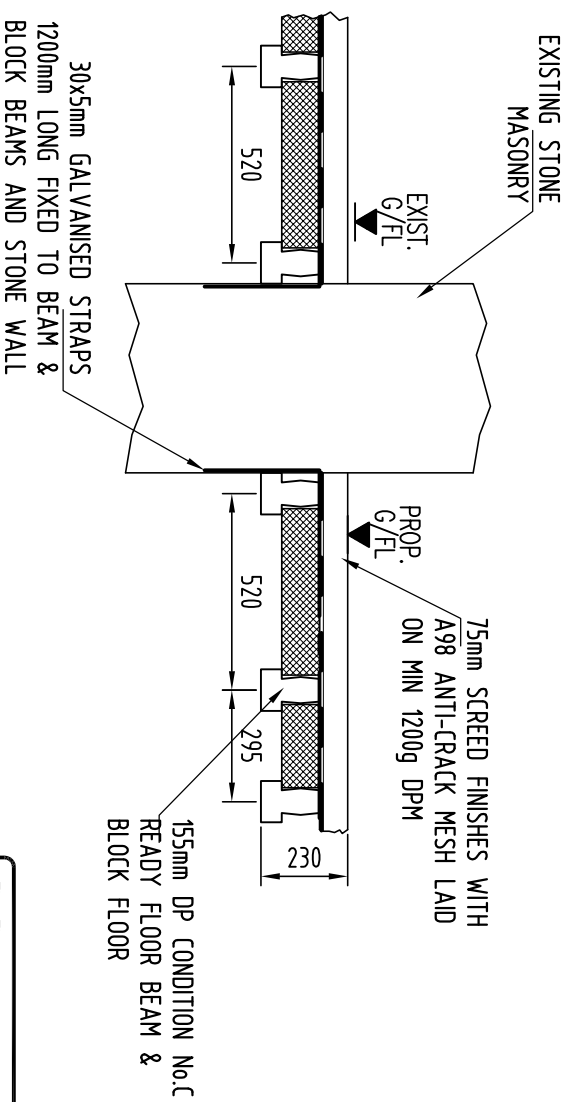
SECTION 4-4  
SCALE 1:20



SECTION 5-5  
SCALE 1:20



SECTION 6-6  
SCALE 1:20



SECTION 7-7  
SCALE 1:20

**ISSUED FOR COMMENTS**

Item:	Revisions:	Date:	Scale:	Client:	Project:
		JUNE 2013	A3 AS SHOWN	VALLEYS FAMILY CHURCH	Portico Engineers Civil Structural and Research
Drawn:	DMN	Checked:	DMN		32 Maple Road, Pentreband, Fairwater, Cardiff, CF5 3TY. Tel: 0798224957 mail@porticoengineers.com www.porticoengineers.com