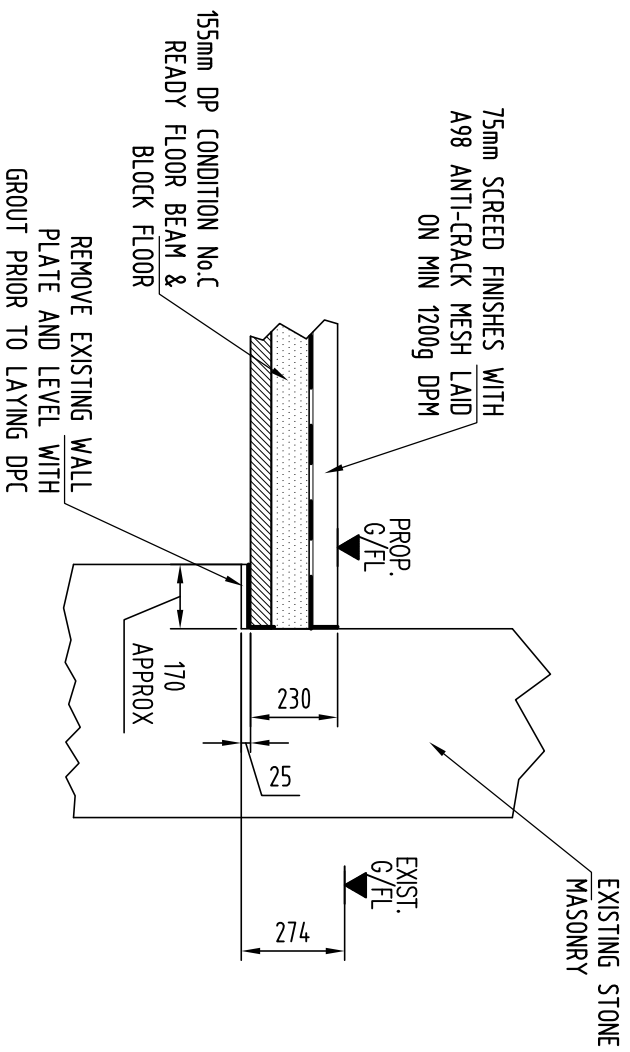
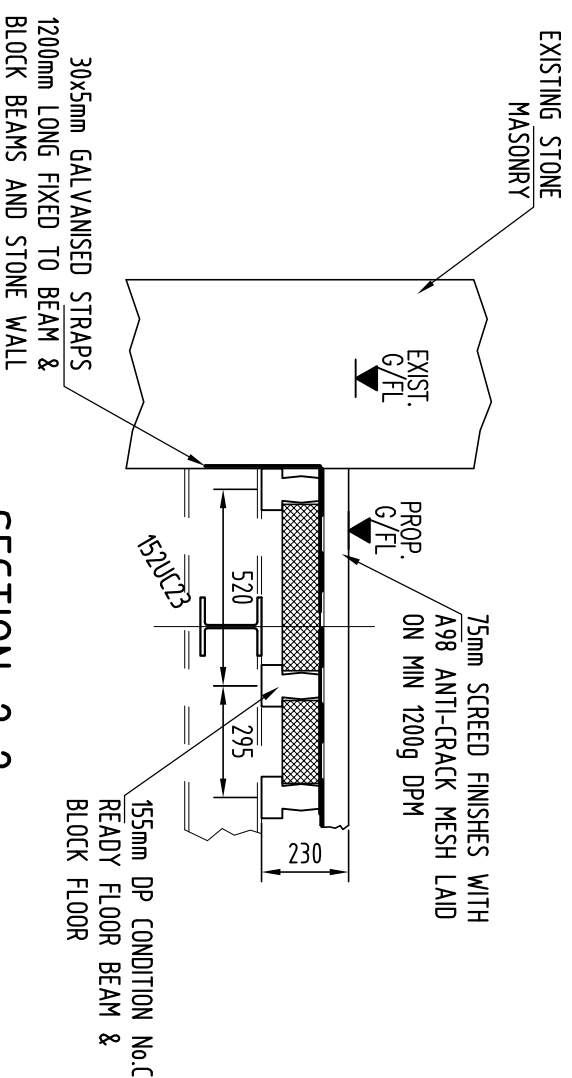


**Notes:**

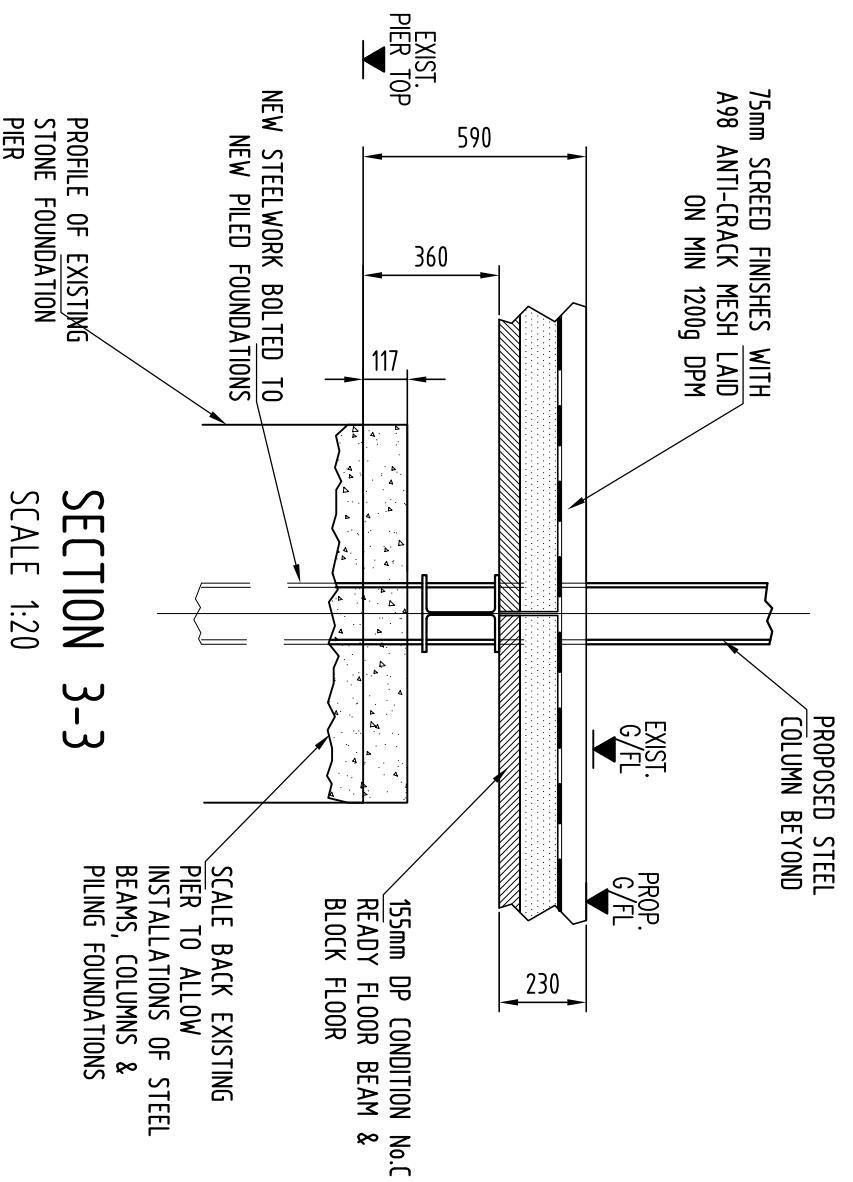
- General:**
1. All dimensions and levels are in millimetres unless noted otherwise.
  2. All levels relate to ordnance datum unless noted otherwise.
  3. Do not scale from this drawing. Use figured dimensions only.
  4. If in doubt, Ask. Please report any discrepancies before proceeding.
  5. This drawing to be read in conjunction with all other relevant drawings.
  6. This drawing is copyrighted ©



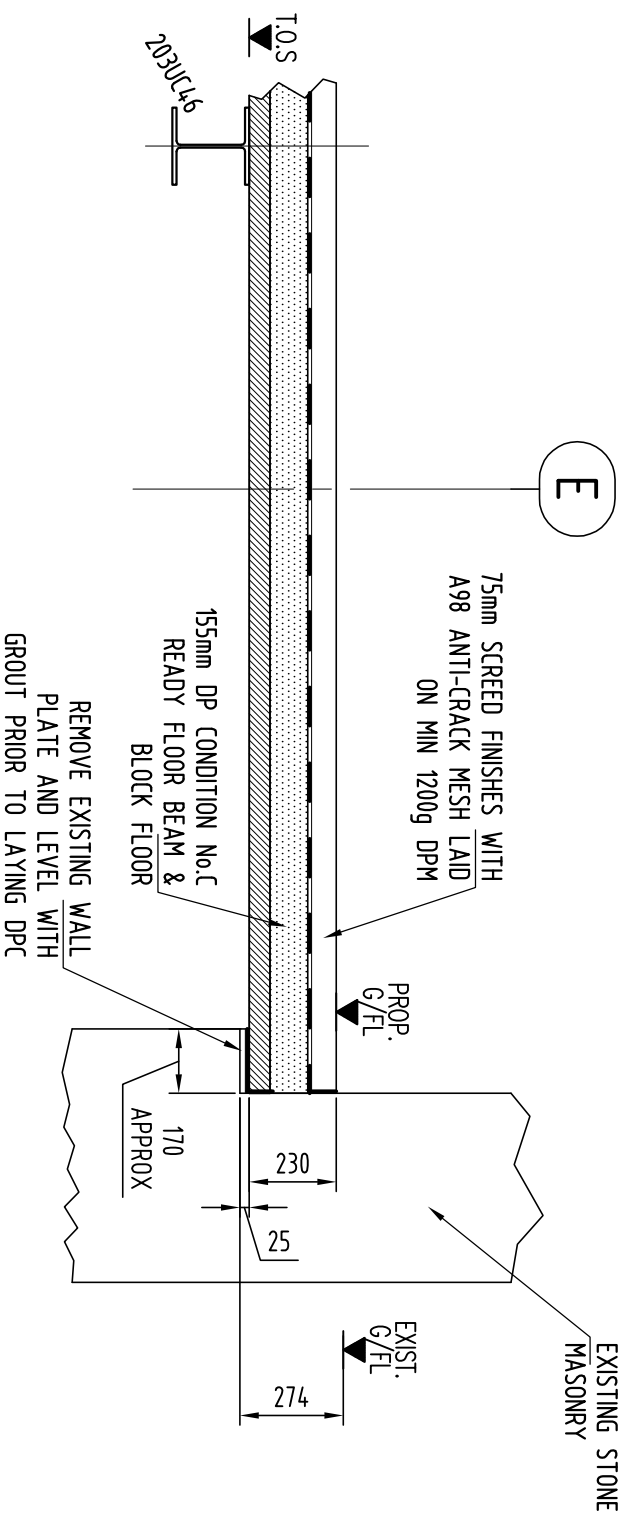
**SECTION 1-1**  
SCALE 1:20



**SECTION 2-2**  
SCALE 1:20



**SECTION 3-3**  
SCALE 1:20



**SECTION 1A-1A**  
SCALE 1:20

**FOR DESIGN & BUILD**

Item:	Revision:	Date:	Issue:	Checked:
A	DRG TITLE AMENDED SECTIONS AMENDED FOR D&B SCHEME	JAN 2014	DMN	DMN
Client:	VALLEYS FAMILY CHURCH			
Contract:	Portico Engineers Civil Structural and Research			
Date:	JUNE 2013	Scale:	A3 AS SHOWN	
Drawn:	DMN	Checked:	DMN	
32 Maple Road, Pentreabana, Fairwater, Cardiff, CF5 3TY, Tel: 07982249577 info@porticoengineers.com www.porticoengineers.com				